

**2.5in** <sup>9.5</sup>mm

**ADAPTER**

# SATA 3 to **mSATA SSD** Enclosure



## Features

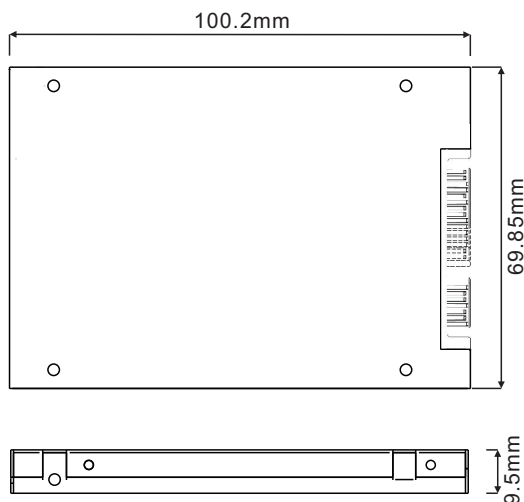
- Standard 2.5", 9.5mm(H) Form Factor
- Support a SATA host & mSATA SSD device
- mSATA to SATA III Module
- Green LED indicates the mSATA SSD's power status
- Red LED indicates the mSATA SSD's active status

## Specifications

- Support SATA Reversion 3.2
- PCI Express Mini Card Electromechanical Spec. 1.2
- PCI-E Card Electromechanical Specification Revision 1.1
- Support SFF-8201 for Form Factor of 2.5" Disk Drives
- PWM synchronous buck converter Power IC
- 3A maximum output current
- Short circuit protection
- In-rush current suppression
- Thermal shutdown protection
- ESD HBM (Human Body Mode)/2KV

## Support mSATA Form factor

- Half size mSATA : 26.8mm(L) x 30mm(W)
- Full size mSATA : 50.95mm(L) x 30mm(W)



**2.5  
INCH**

**mSATA  
SSD**

**SATA  
6GB/s**

